

**POLE TYPE1**

**POLE TYPE2**

**POLE TYPE3**

**RED AREA**

**BLUE AREA**

**RING ZONE**

**START ZONE**

**START ZONE**

**ANGKOR CENTER AREA**

**ANGKOR RED AREA**

**ANGKOR BLUE AREA**

**MOAT AREA**

**BRIDGE**

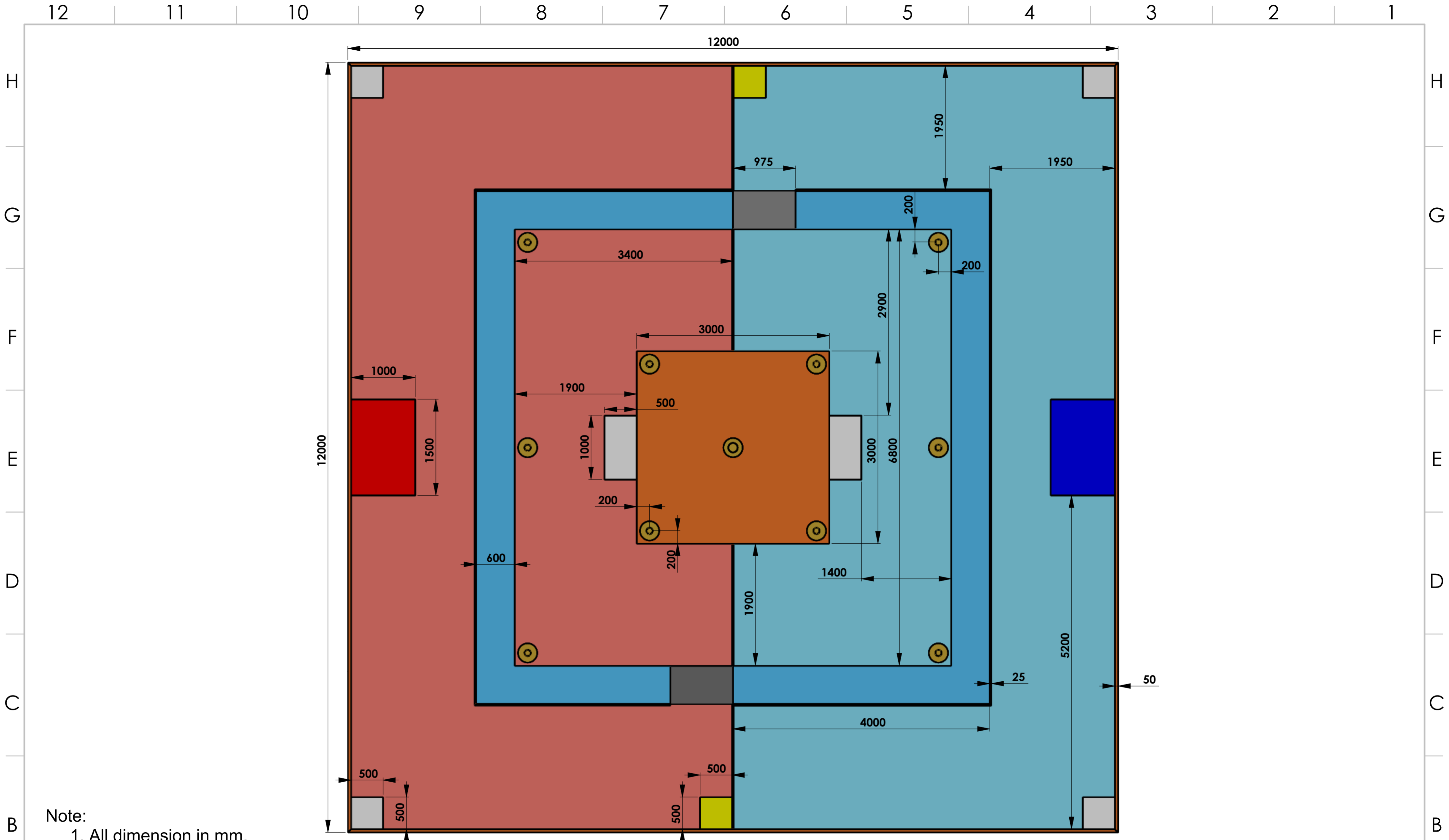
**FENCE**

**FENCE**

**RING ZONE**

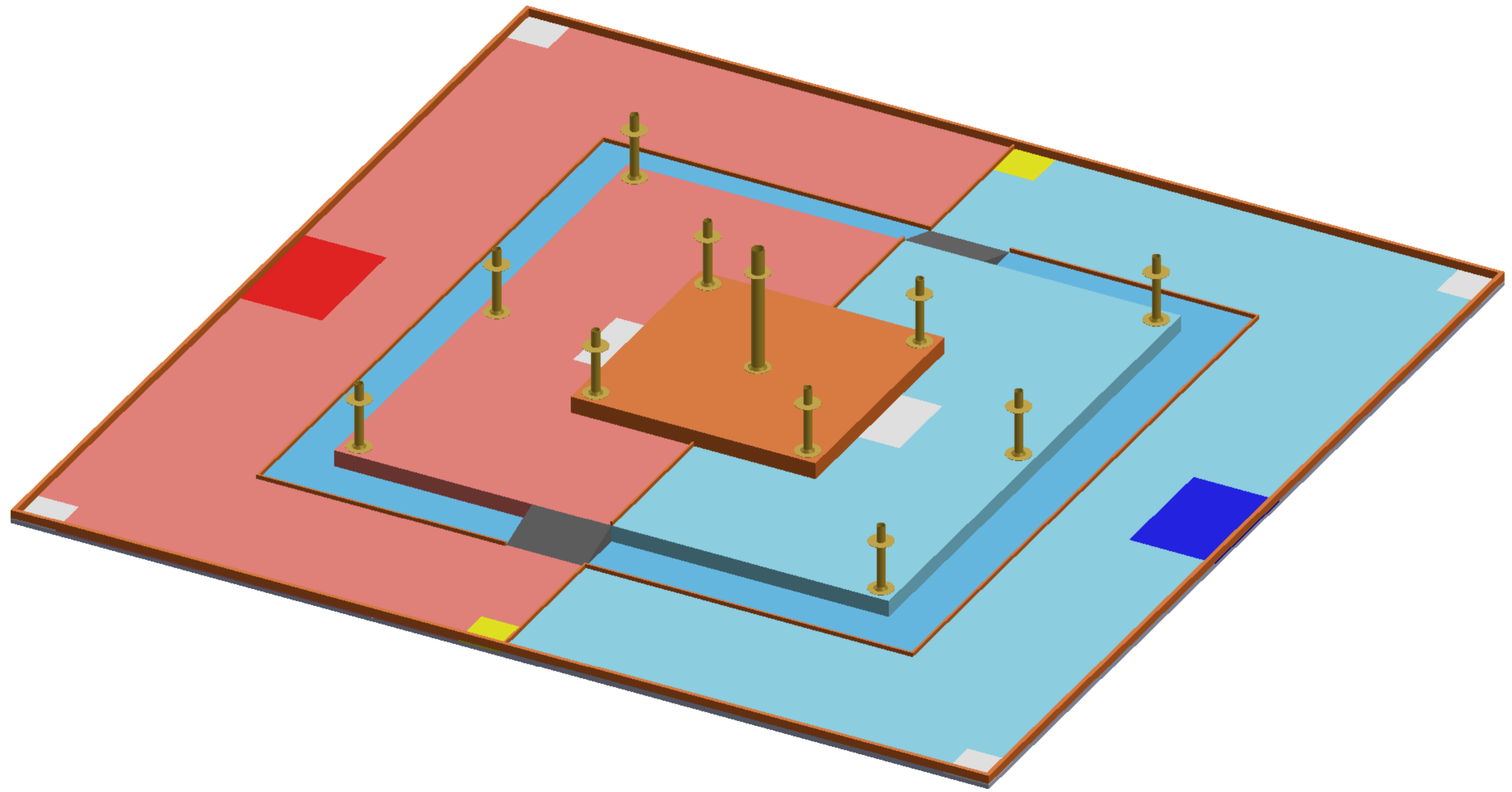
**RETRY ZONE**

<u>Project Title</u>	<u>Drawing Name</u>	<u>Scale</u>	<u>Date</u>	<u>Drawing By</u>	<u>No.</u>
ABU Asia-Pacific Robot Contest 2023	Game Field-functional Areas/Zone	1/38 A2	2022.07.10	ABU ROBOCON 2023 Contest Committee	0.1

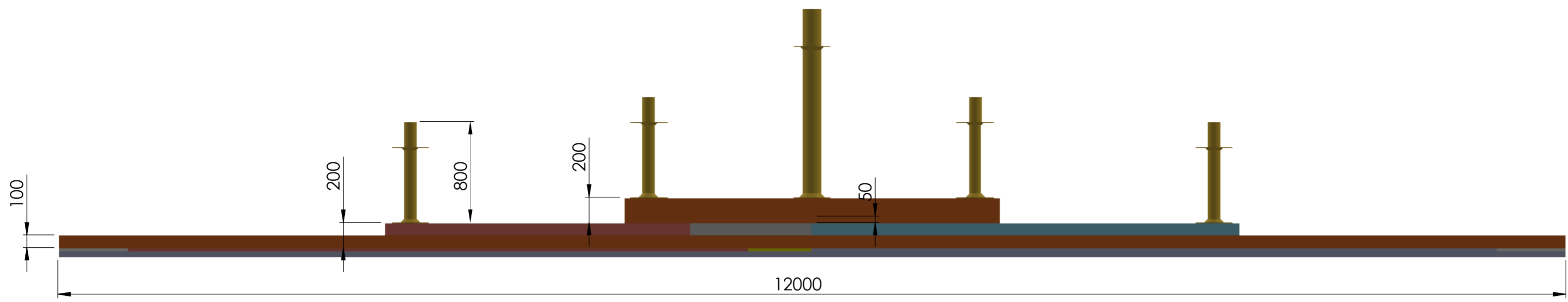


Note:  
1. All dimension in mm.

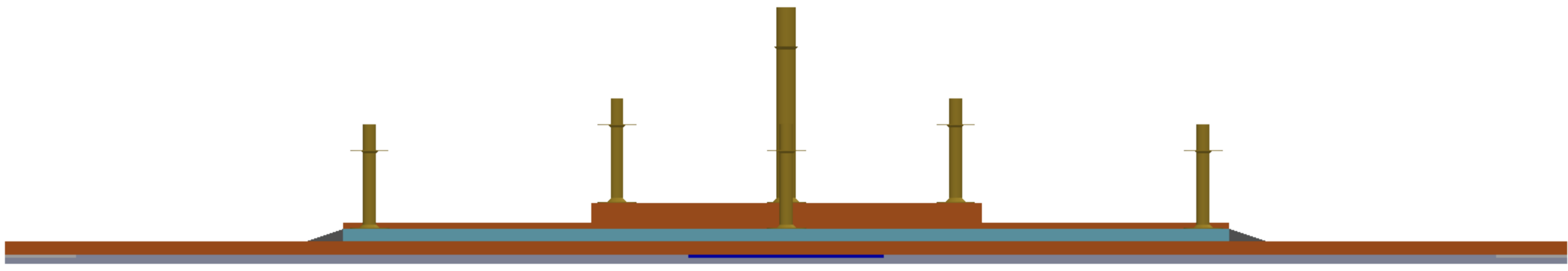
<u>Project Title</u>	<u>Drawing Name</u>	<u>Scale</u>	<u>Date</u>	<u>Drawing By</u>	<u>No.</u>
ABU Asia-Pacific Robot Contest 2023	Game Field- Top View	1/38 A2	2022.08.05	ABU ROBOCON 2023 Contest Committee	0.2



<u>Project Title</u>	<u>Drawing Name</u>	<u>Scale</u>	<u>Date</u>	<u>Drawing By</u>	<u>No.</u>
ABU Asia-Pacific Robot Contest 2023	Game Field- Perspective View	1/38 A2	2022.07.10	ABU ROBOCON 2023 Contest Committee	0.3



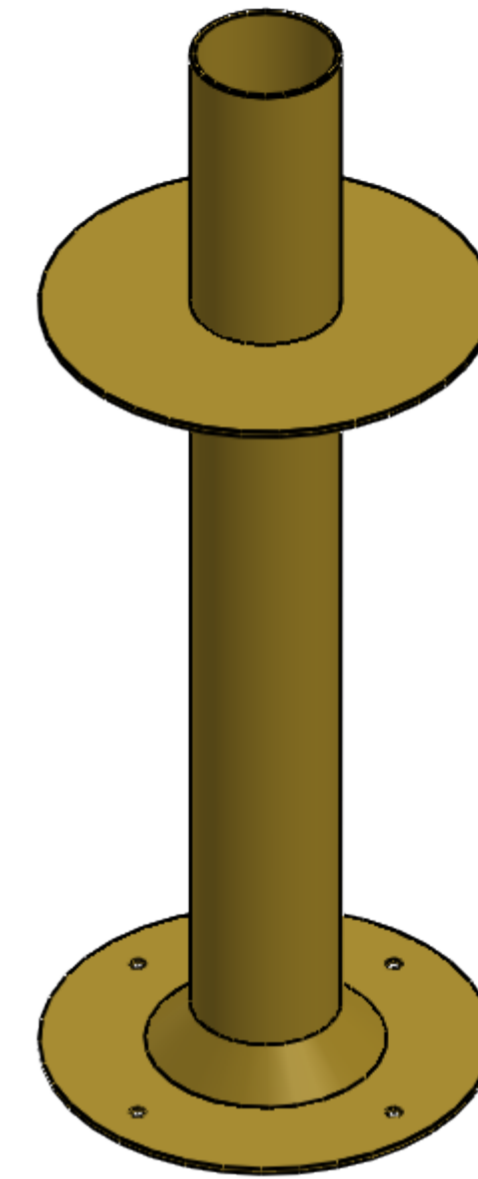
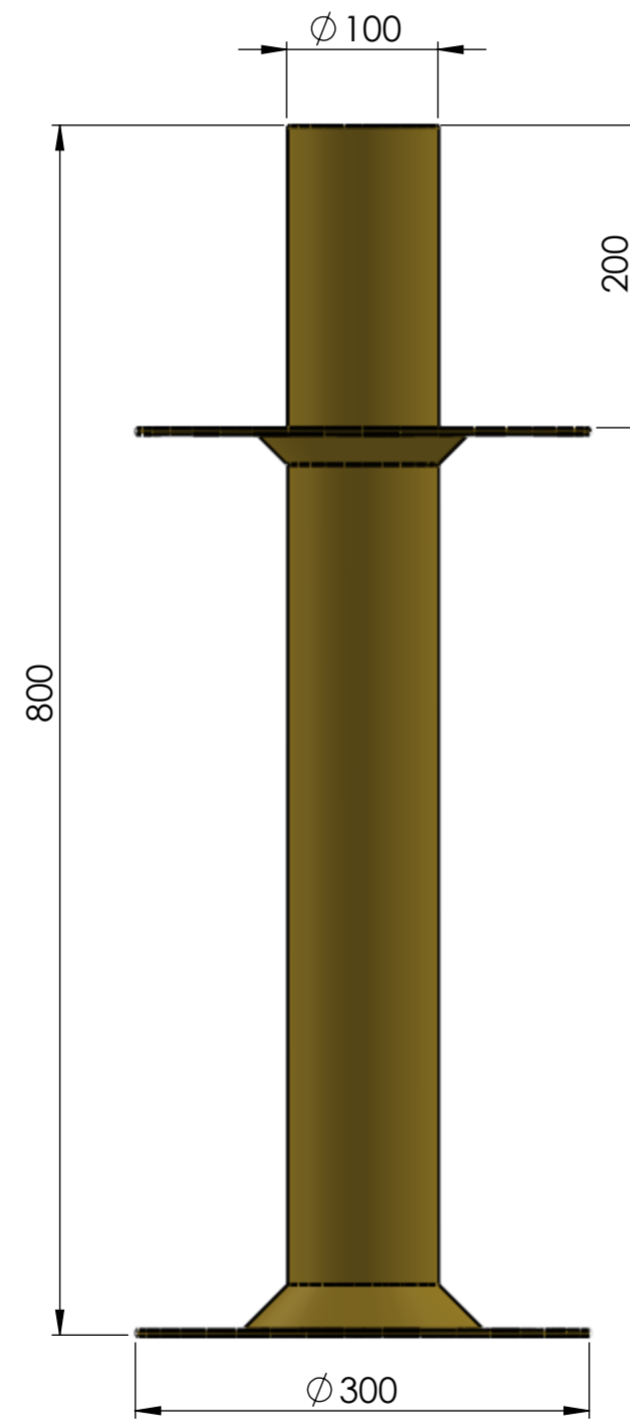
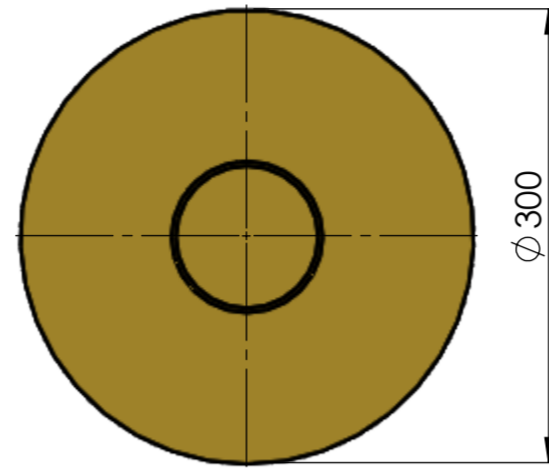
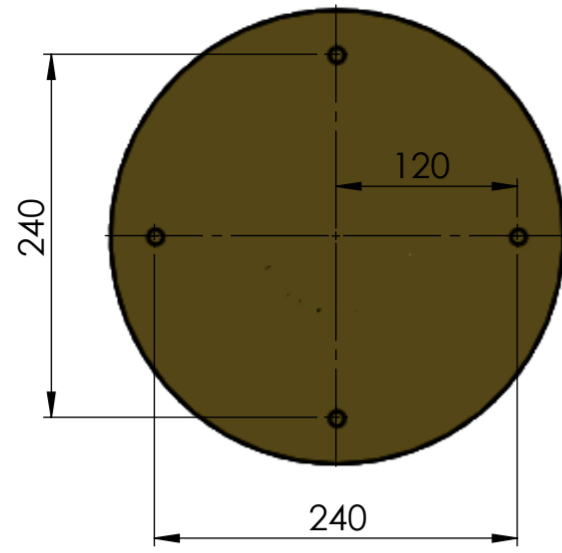
**Front View**



**Right View**

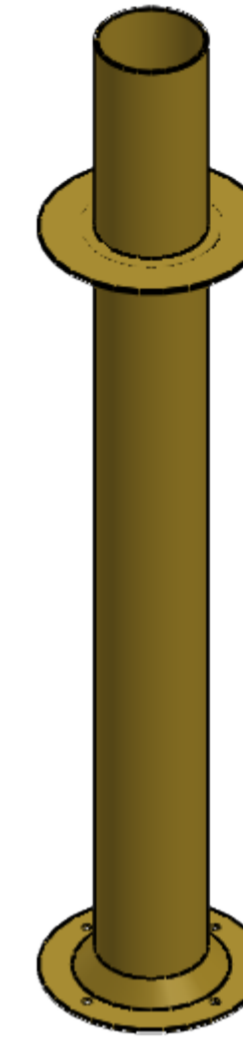
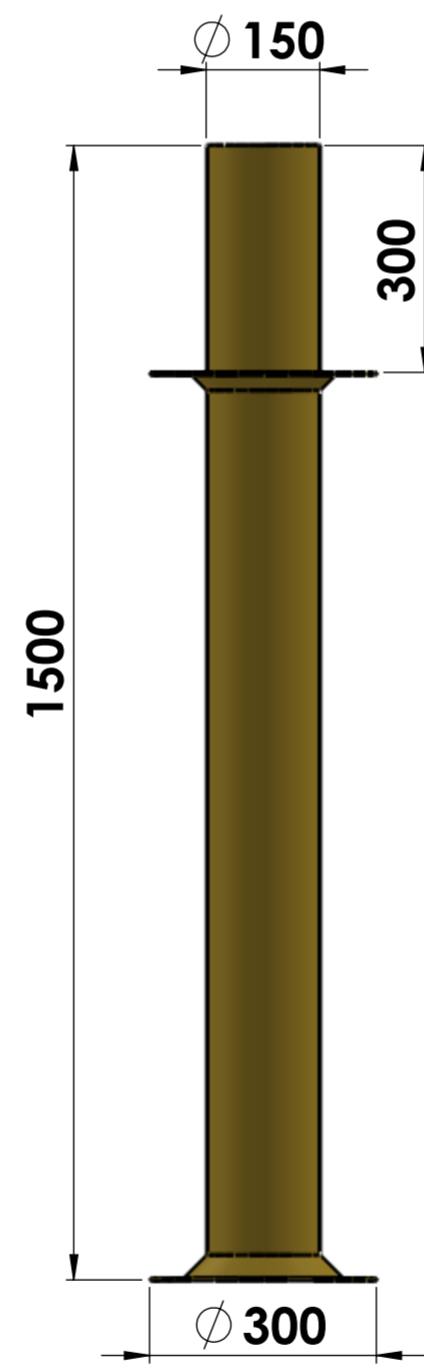
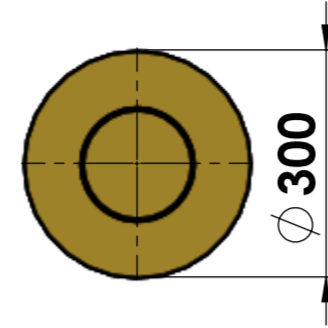
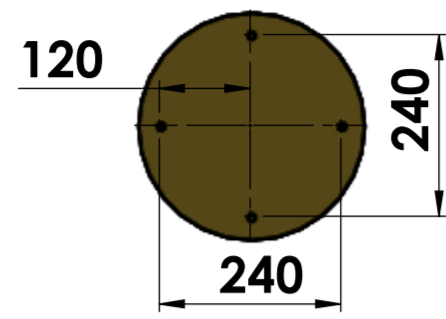
Note:  
1. All dimension in mm.

<u>Project Title</u>	<u>Drawing Name</u>	<u>Scale</u>	<u>Date</u>	<u>Drawing By</u>	<u>No.</u>
ABU Asia-Pacific Robot Contest 2023	Game Field-Side View	1/35 A2	2022.07.10	ABU ROBOCON 2023 Contest Committee	0.4



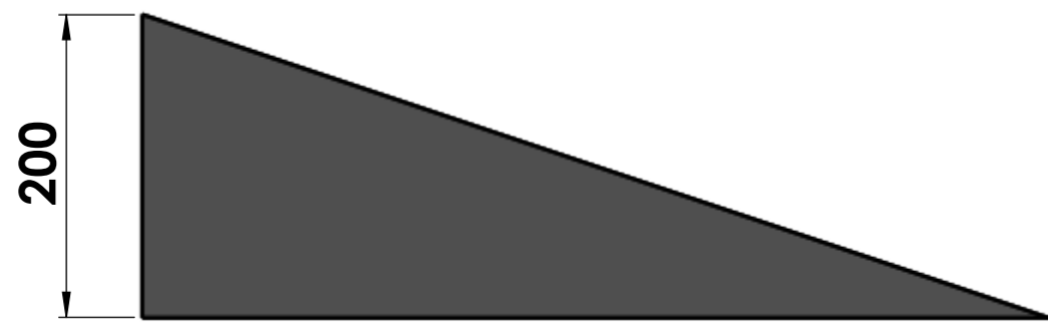
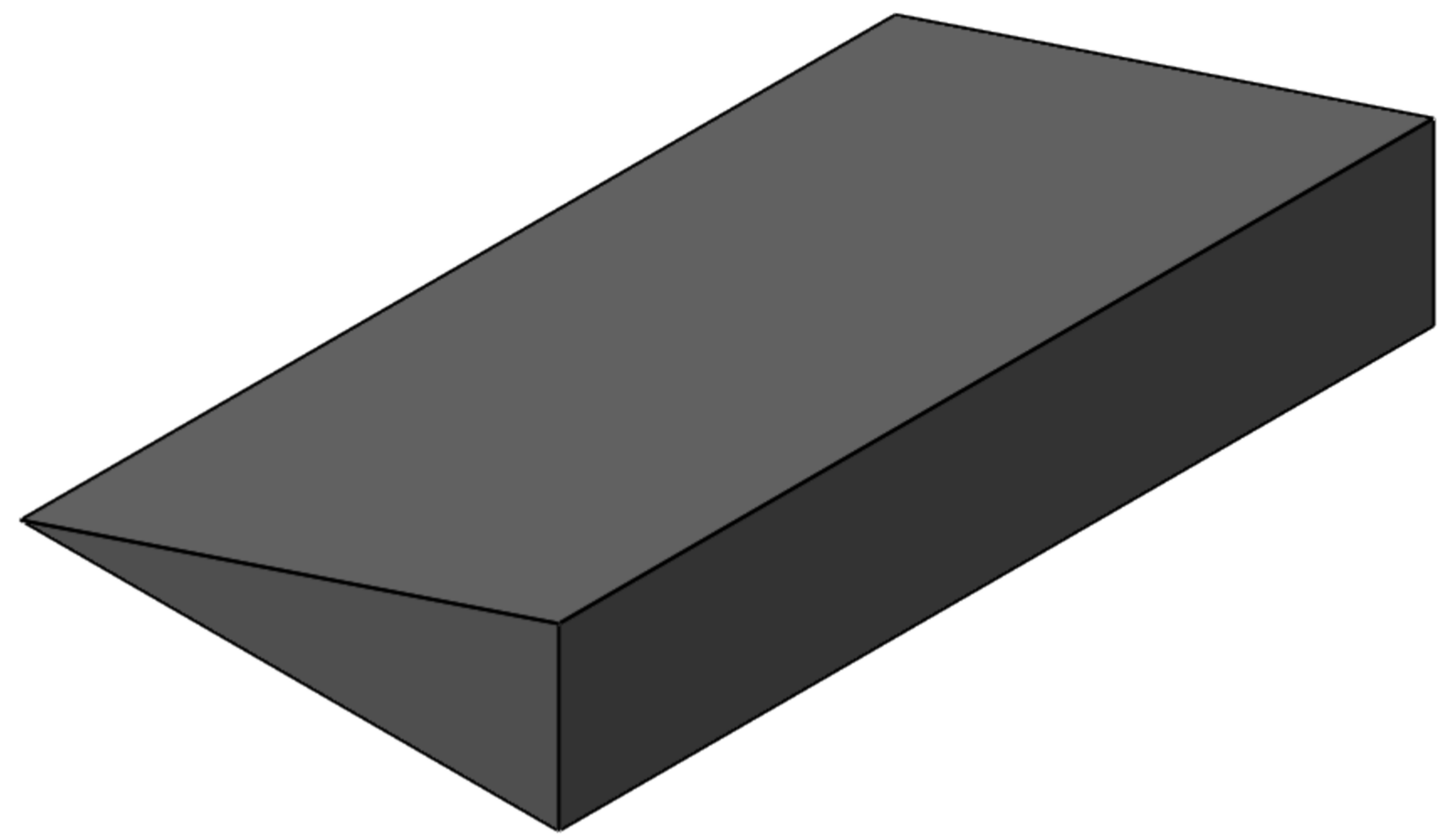
Note:  
 1. All dimension in mm.  
 2. Material- steel tube

<u>Project Title</u>	<u>Drawing Name</u>	<u>Scale</u>	<u>Date</u>	<u>Drawing By</u>	<u>No.</u>
ABU Asia-Pacific Robot Contest 2023	Pole Type 1	1/5 A2	2022.07.10	ABU ROBOCON 2023 Contest Committee	0.5



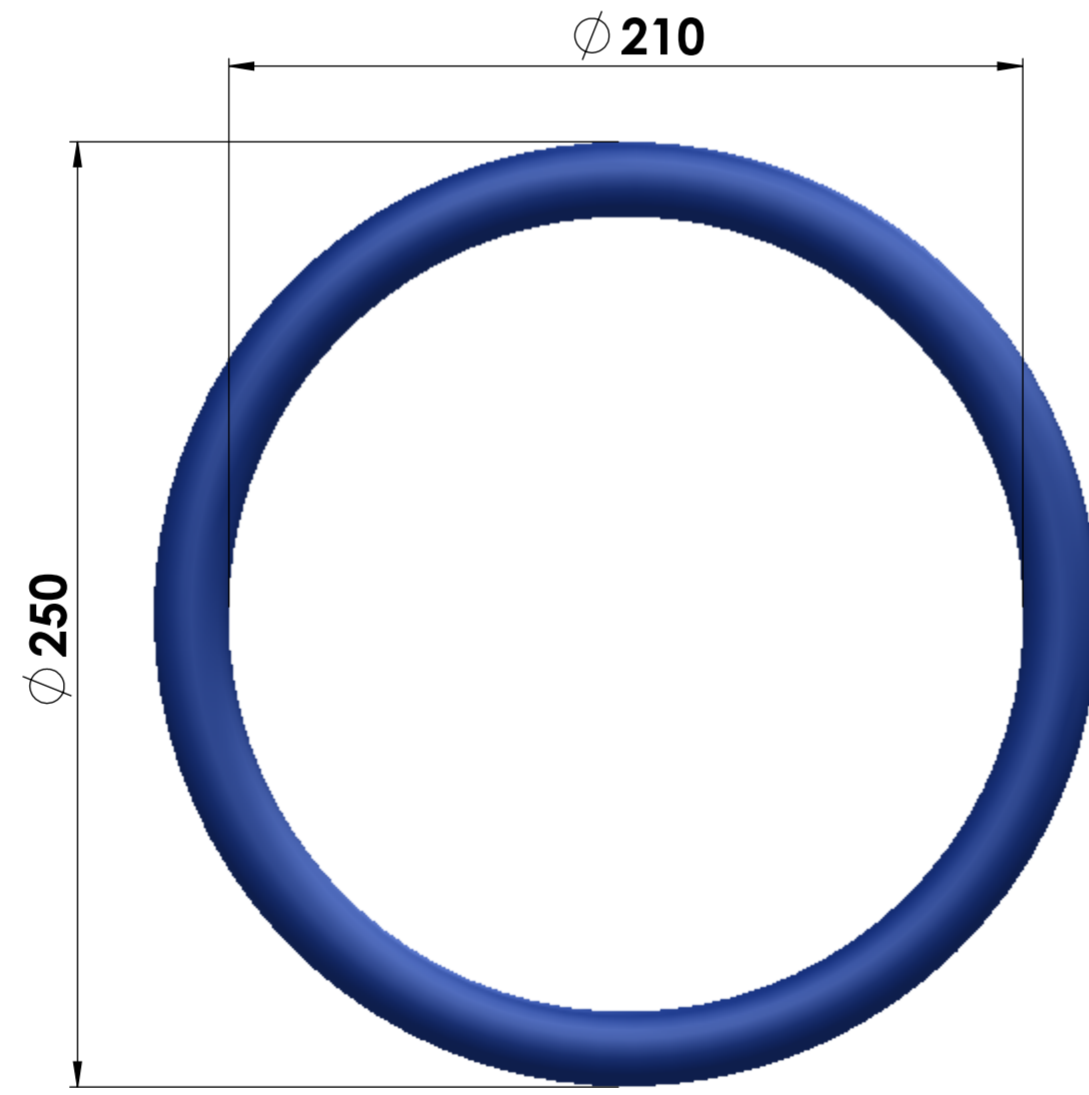
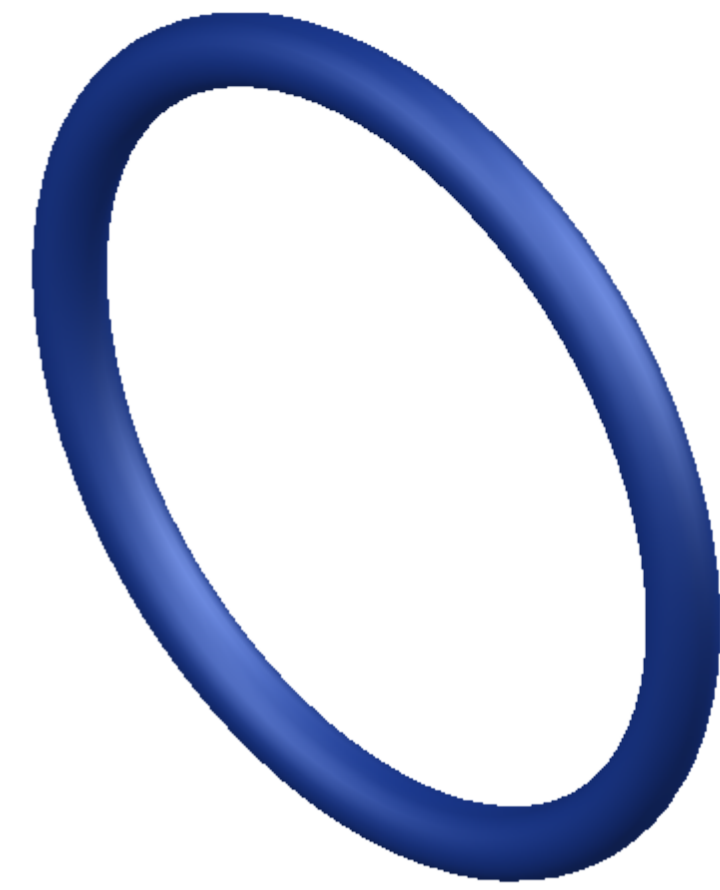
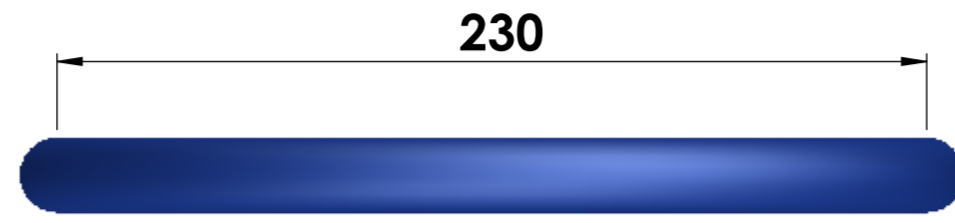
Note:  
 1. All dimension in mm.  
 2. Material- steel tube

<u>Project Title</u>	<u>Drawing Name</u>	<u>Scale</u>	<u>Date</u>	<u>Drawing By</u>	<u>No.</u>
ABU Asia-Pacific Robot Contest 2023	Pole Type3	1/5 A2	2022.07.10	ABU ROBOCON 2023 Contest Committee	0.6



**Note:**  
**1. All dimension in mm.**  
**2. Material - plywood**

<u>Project Title</u>	<u>Drawing Name</u>	<u>Scale</u>	<u>Date</u>	<u>Drawing By</u>	<u>No.</u>
ABU Asia-Pacific Robot Contest 2023	Bridge	1/5 A2	2022.07.10	ABU ROBOCON 2023 Contest Committee	0.7















**Note:**  
**1. All dimension in mm.**  
**2. Material - .....**

<u>Project Title</u>	<u>Drawing Name</u>	<u>Scale</u>	<u>Date</u>	<u>Drawing By</u>	<u>No.</u>
ABU Asia-Pacific Robot Contest 2023	RING	1/2 A2	2022.07.10	ABU ROBOCON 2023 Contest Committee	0.8



# Appendix

Materials and Colors of the game field, facilities, and object.

Item	Color	R	G	B	Material
Start Zone Red		255	20	3	Plywood, water paint
Start Zone Blue		11	38	245	
Red Zone		255	129	118	
Blue Zone		143	231	255	
Retry Area		255	255	0	
Ring Area		255	255	255	
Moat Area		90	200	255	
Pole		212	175	55	Steel
Angkor Red Area		255	129	118	Plywood, water paint
Angkor Blue Area		143	231	255	
Angkor Center Area		245	121	43	
Bridge		128	128	128	
Fence		245	121	43	Steel